



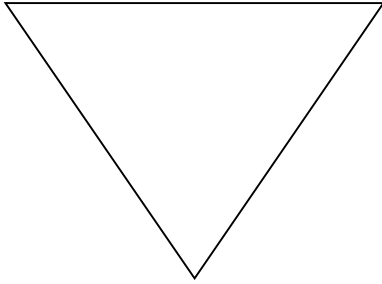
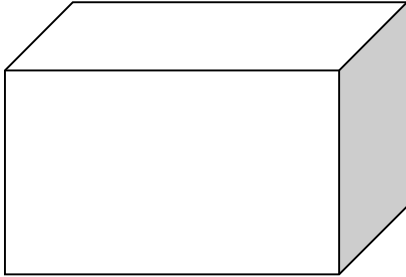
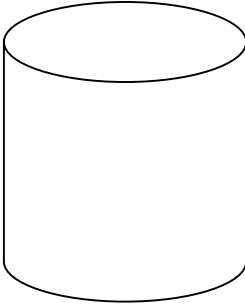
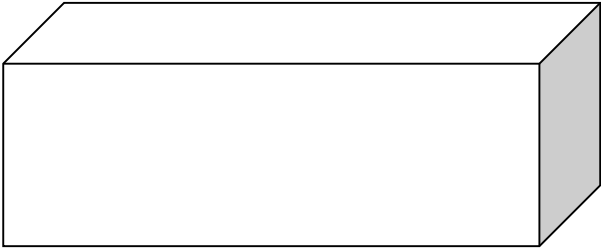
Cosmo School

Class One
Subject: Math

Topic – Shapes
Revision Answersheet

Day - Thursday
Day - 1/10/2020

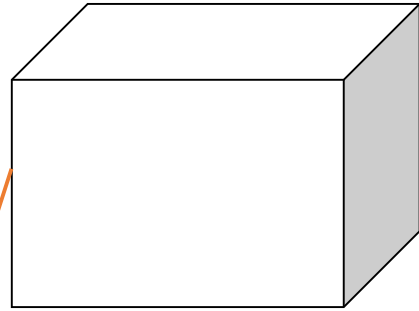
1. Put a tick (✓) on right side basis of the correct shapes:

	<ul style="list-style-type: none"><input type="radio"/> Cube✓ <input checked="" type="radio"/> Cone<input type="radio"/> Cuboid
	<ul style="list-style-type: none">✓ <input checked="" type="radio"/> Cube<input type="radio"/> Cuboid<input type="radio"/> Cylinder
	<ul style="list-style-type: none">✓ <input checked="" type="radio"/> Cylinder<input type="radio"/> Cone<input type="radio"/> Cube
	<ul style="list-style-type: none"><input type="radio"/> Cylinder<input type="radio"/> Cube✓ <input checked="" type="radio"/> Cuboid

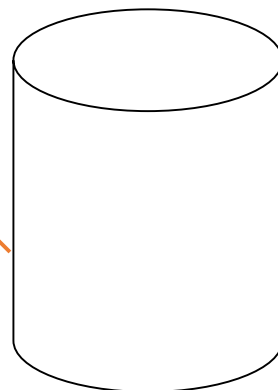
2. Draw a straight line to match the correct shapes with the alike pictures.



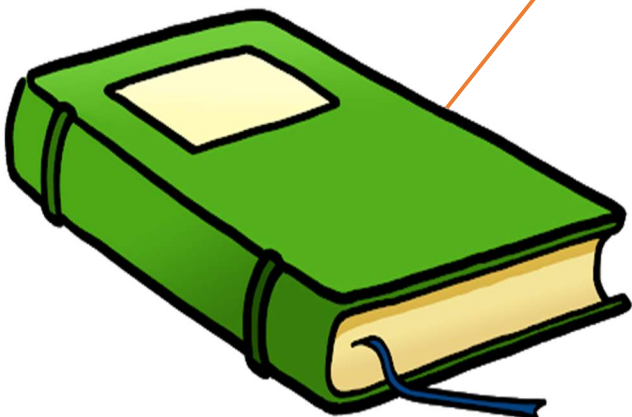
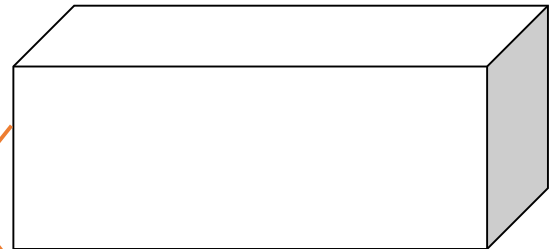
cube



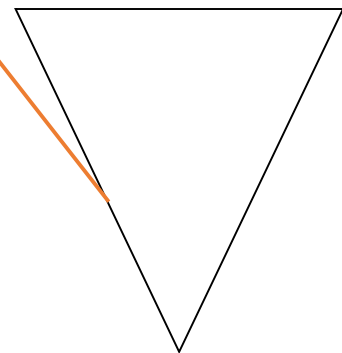
Cylinder



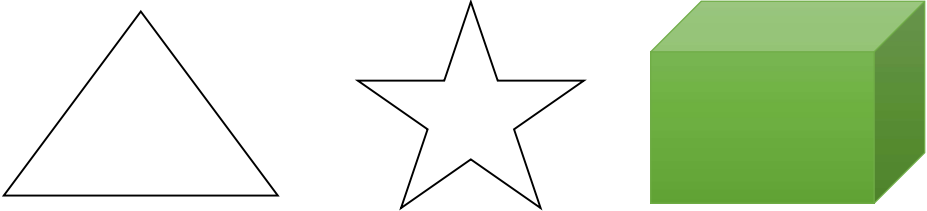

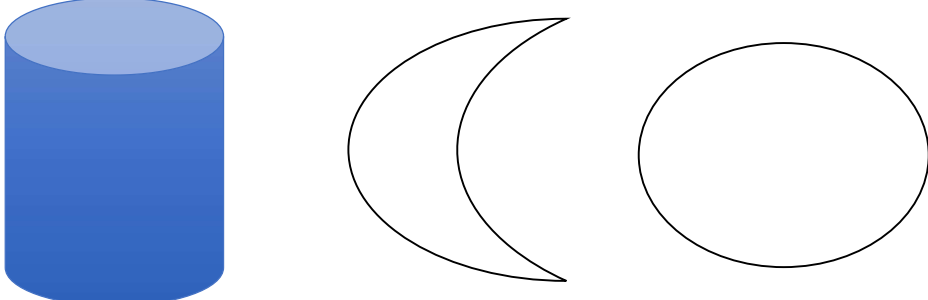
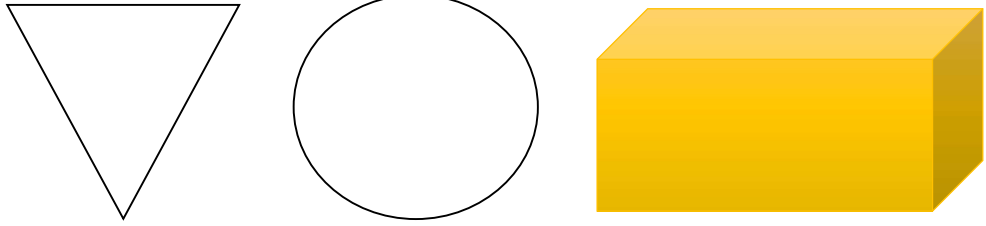
Cuboid

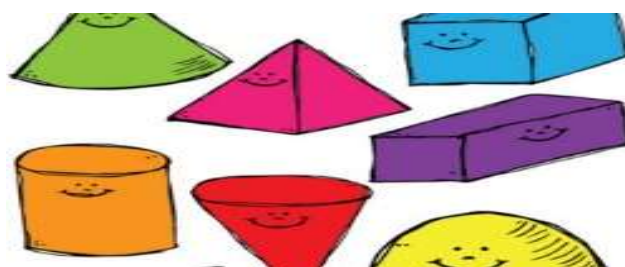


Cone

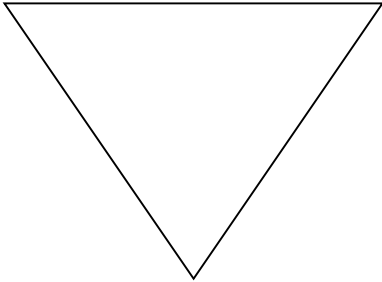
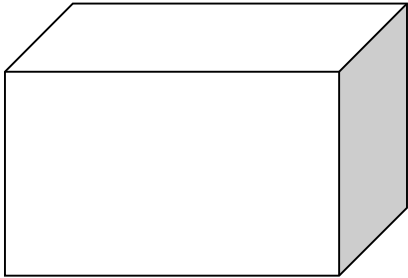
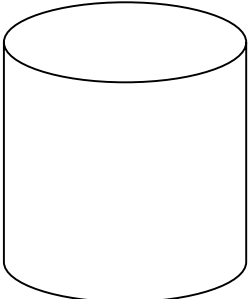
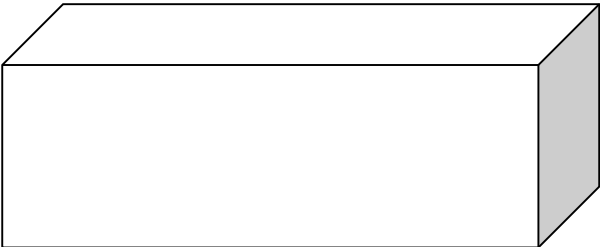


3. Identify and colour the correct shapes.

Cube	
Cone	
Cylinder	
Cuboid	



4. Write down the following shapes name in the blank boxes beside the pictures.

	<p>Cone</p>
	<p>Cube</p>
	<p>Cylinder</p>
	<p>Cuboid</p>

Prepared by : **ibnat Zuva**

Teacher's mail address: **zuva.ibnat@yahoo.com**