



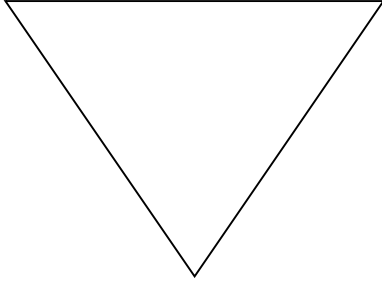
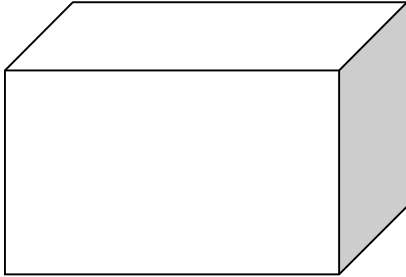
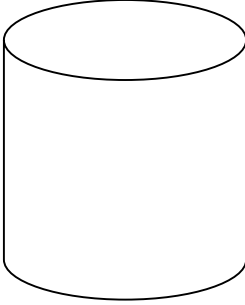
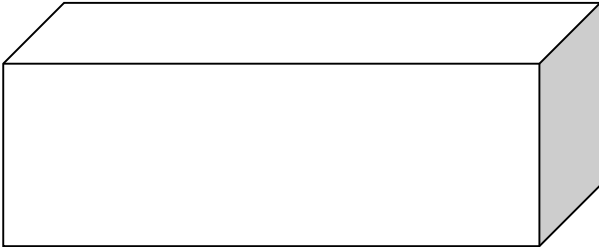
# Cosmo School

**Class One**  
**Subject: Math**

**Topic – Shapes**  
**Revision Worksheet**

**Day - Thursday**  
**Day - 1/10/2020**

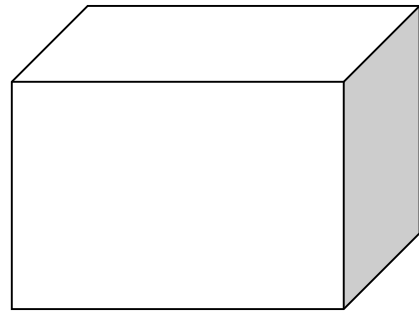
**1. Put a tick (✓) on right side basis of the correct shapes:**

	<ul style="list-style-type: none"><li>● Cube</li><li>● Cone</li><li>● Cuboid</li></ul>
	<ul style="list-style-type: none"><li>● Cylinder</li><li>● Cuboid</li><li>● Cube</li></ul>
	<ul style="list-style-type: none"><li>● Cylinder</li><li>● Cone</li><li>● Cube</li></ul>
	<ul style="list-style-type: none"><li>● Cylinder</li><li>● Cube</li><li>● Cuboid</li></ul>

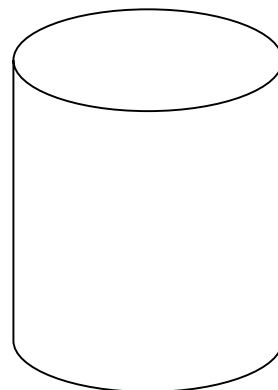
2. Draw a straight line to match the correct shapes with the alike pictures.



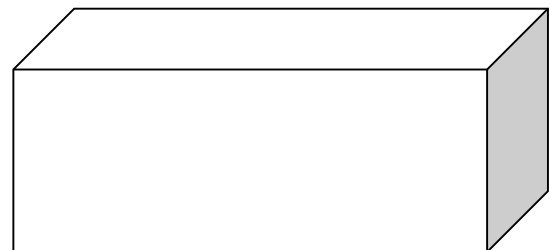
**cube**



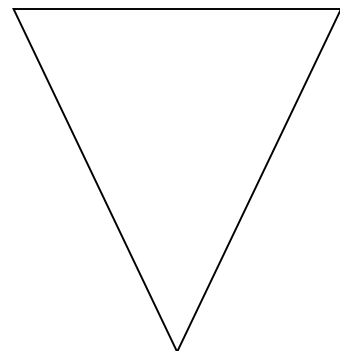
**Cylinder**



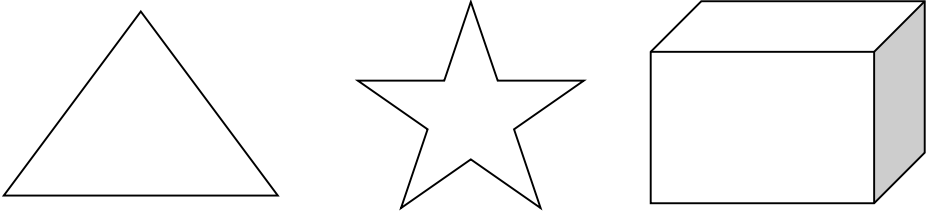
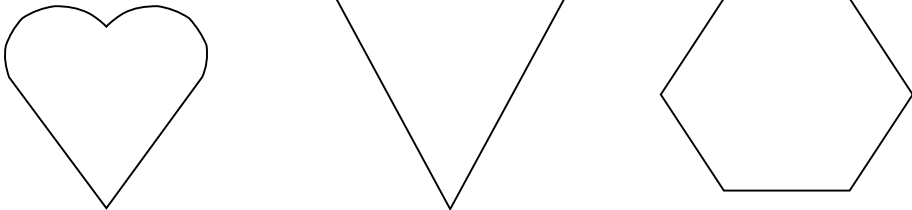
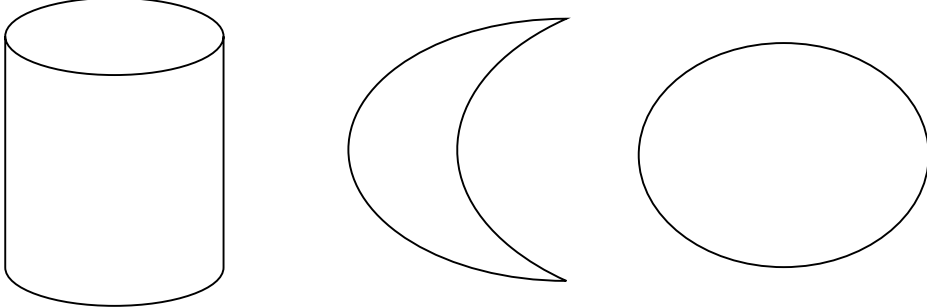
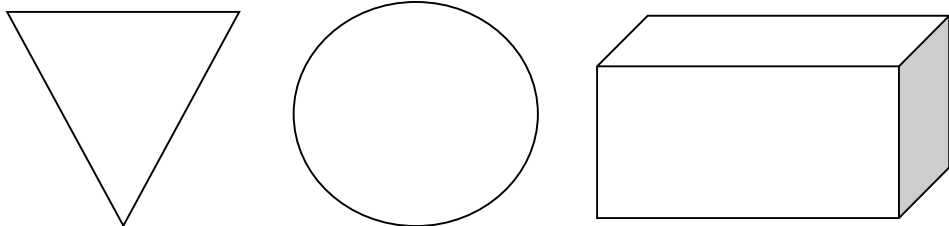
**Cuboid**

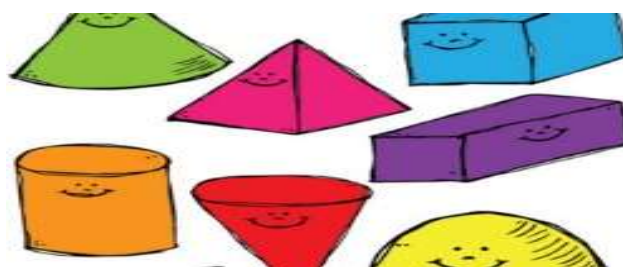


**Cone**

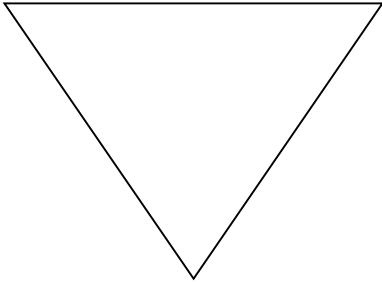
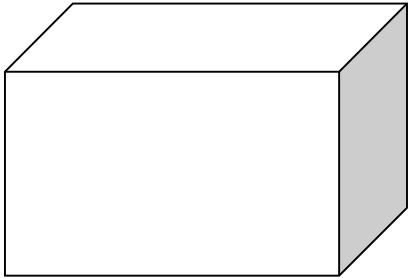
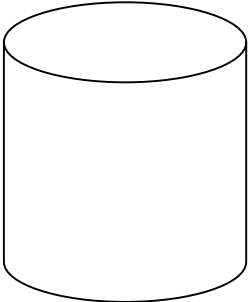
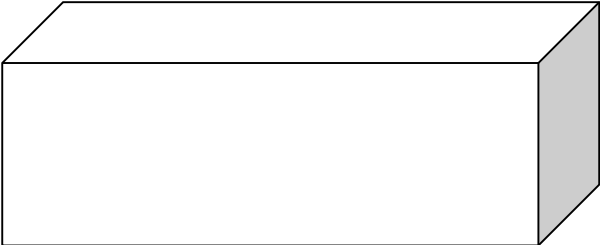


### 3. Identify and colour the correct shapes.

<b>Cube</b>	
<b>Cone</b>	
<b>Cylinder</b>	
<b>Cuboid</b>	



4. Write down the following shapes name in the blank boxes beside the pictures.

Prepared by : **ibnat Zuva**

Teacher's mail address: **zuva.ibnat@yahoo.com**